

# LR/LG200 Series

## Long Neck Butterfly Valve

The LR/LG200 Series features an extended neck which allows the mounting pad and stem to clear pipe insulation. This feature makes the LR/LG200 series the logical choice for process and refining applications. The LR/LG200 series also features a two piece stem design that allows for removal and repair of valve parts without special tools or equipment. The LR/LG200 is pressure rated to 200 PSI and is available in sizes 2" through 12".

### Stem

The standard stem for the LR/LG200 is constructed of solid 416 stainless steel. Double D stem design provides extended stem life. Mounting pad & stem dimensions meet ISO 5211 requirements.

### Long Neck

Extended neck design will accommodate pipe insulation.

### O-Ring

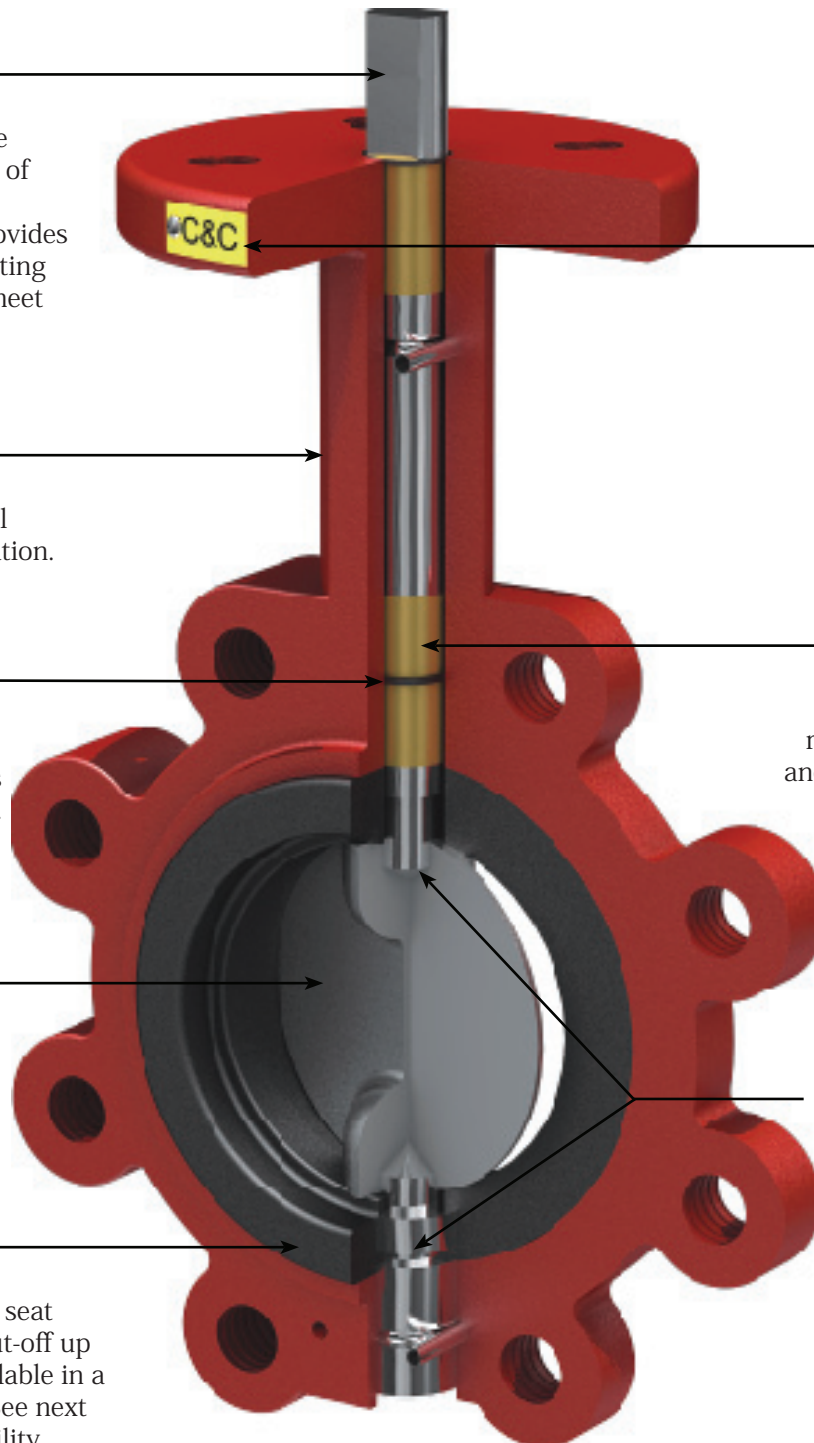
Provides a secondary seal to help prevent leaks through the stem journal.

### Disc

Pinless disc design provides superior strength and durability. See next page for material availability.

### Seat

Phenolic-backed resilient seat provides bubble tight shut-off up to 200 psi. Seats are available in a wide array of materials. See next page for material availability.



### Name Plate

Metal name plate is securely fixed to the valve body. Name plate clearly displays size, flange compatibility, body, seat and disc material.

### Stem Bushings

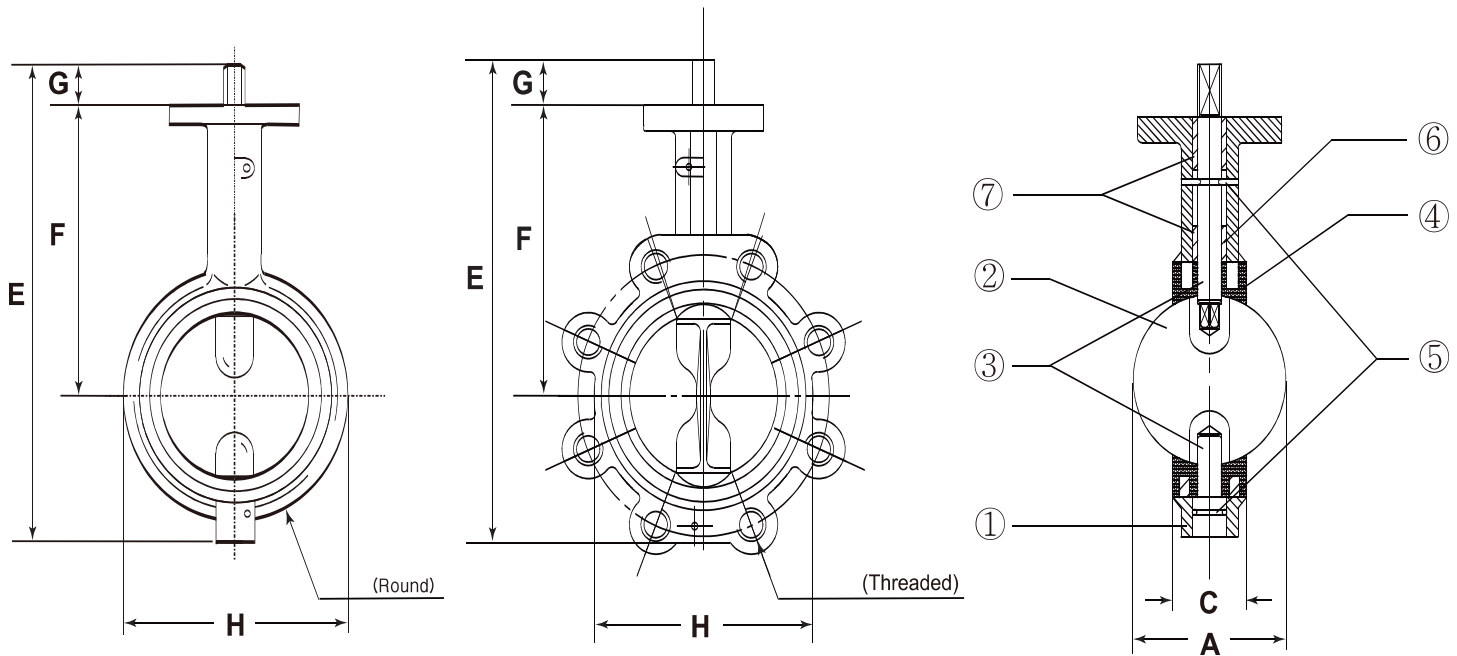
The P.T.F.E. stem bushings reduce torque requirements and help increase stem life by isolating the stem from the valve body.

### Two-Piece Stem

The LR/LG200 features a two-piece stem design which allows for maximum flow values, and provides increased strength and durability.

# LR/LG200 Series

Continued...



## Materials of Construction

No.	Description	Material
1	Body	Ductile Iron ASTM A536, WCB Gr 216A* A351 CF8M* A351 CF8*
2	Disc	Ductile Iron (Ni Plated), Ductile Iron (Nylon Coated), Aluminum Bronze, CF8M (316 SS), CF8 (304 SS)* Monel**
3	Stem	416 Stainless Steel, 304 Stainless Steel* 316 Stainless Steel* Monel**
4	Seat	BUNA-N, E.P.D.M., F.K.M.(Viton®), P.T.F.E. (Teflon®), Neoprene**, Hypalon**
5	Retainer Pin	ASTM Gr. 1065 Steel
6	O-ring	BUNA-N (Viton® Optional)
7	Bushing	P.T.F.E.

\*Asterisk denotes factory availability only

## Dimensional Data

Size	A		C		E		F		G		H		Wafer Weight		Lug Weight	
	in	mm	in	mm	in	mm	in	mm	in	mm	in	mm	lbs	Kg	lbs	Kg
2"	2.07	52.60	1.65	42.04	9.64	245	5.59	142.00	1.25	32.00	3.94	100.00	8	4	10	5
2.5"	2.53	64.30	1.75	44.68	10.43	265	6.12	155.45	1.25	32.00	4.72	120.00	10	5	12	5
3"	3.10	78.80	1.77	45.21	10.94	278	6.37	162.00	1.25	32.00	5.00	127.00	11	5	13	6
4"	4.09	104.04	2.05	52.07	12.24	311	7.11	180.80	1.25	32.00	6.49	165.00	13	6	21	10
5"	4.85	123.30	2.14	54.36	13.34	339	7.74	196.80	1.25	32.00	7.28	185.00	18	8	25	11
6"	6.11	155.38	2.19	55.75	14.48	368	8.25	209.55	1.25	32.00	8.34	212.00	20	9	29	13
8"	7.95	202.15	2.38	60.58	17.32	440	9.44	240.00	1.77	45.00	10.55	268.00	35	16	48	22
10"	9.84	250.15	2.63	67.00	20.47	520	11.25	285.75	1.77	45.00	13.42	341.00	47	21	69	31
12"	11.86	301.45	3.02	76.90	23.46	596	12.18	309.60	1.77	45.00	15.74	400.00	77	35	108	49